

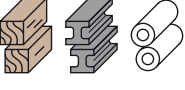


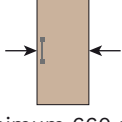


# MAGNUS ABS DOUBLE

PAT-PENDING

A magnetic soft closing system (double ABS) with a soft opening and closing and a soft door release. Capacity from 20 to 80 kg.

<p><b>SLIDING</b> Standard</p> 	<p><b>SMOOTH DOOR RELEASE</b></p> <p>Opening effort reduced by 50% compared to traditional systems</p>	<p><b>VERY QUIET</b></p>  <p>No hooking click sound</p>	<p><b>DOOR MATERIAL</b> Wood, Metal and PVC</p> 	<p><b>SYSTEM LOAD CAPACITY</b> from 20 kg to 80 kg</p> 	<p><b>ROLLERS</b> Body: Zamak Wheels: 4 Ball bearings: 4</p> 	<p><b>DOOR LEAF WIDTH</b></p>  <p>minimum 660 mm</p>
---	--	--	---	---	--	---

**MAGNETIC SOFT AND SELF CLOSING MECHANISM**

**ABS DOUBLE**

Type: Magnetic  
Covering: Steel



### Kit components

1 door set  
Item number: **0570 20 ABS**

Figure	Component	Quantity
1	Roller with magnet	1 piece
2	Roller with Magnetic soft close	1 piece
3	Soft close Activator - Magnus	2 pieces
4	Braking activator - Magnus	2 pieces
-	Valve seat wrench	1 piece

Complete the set in the section "Tracks, floor guide, Accessories and Spare parts".

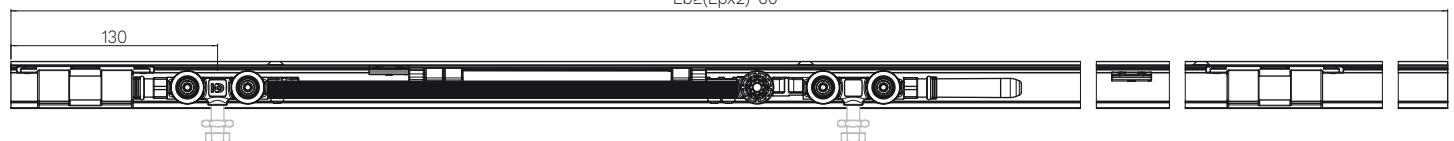
Product details



### Technical drawings

Dimensions indicated in millimeters

$L_b \geq (L_p \times 2) - 60$



Lb = Track length (mm)

www.kronakoblenz.com

# Tracks, floor guide, Accessories and Spare parts Single ABS Magnus and Double ABS Magnus

Traditional double entry fixing bracket and an adjustable floor guide

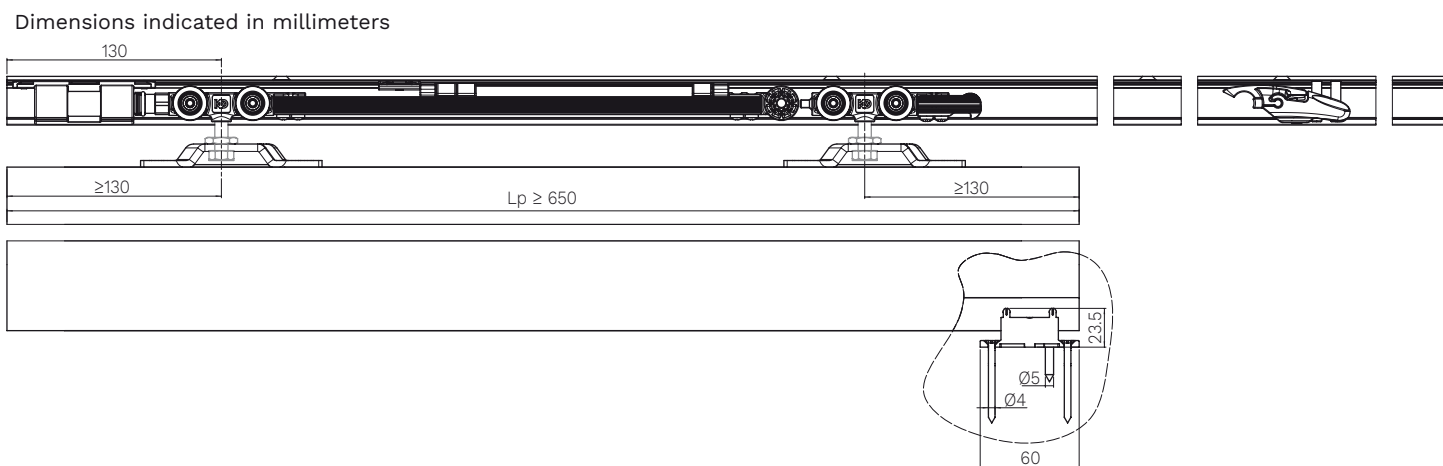


### Kit components

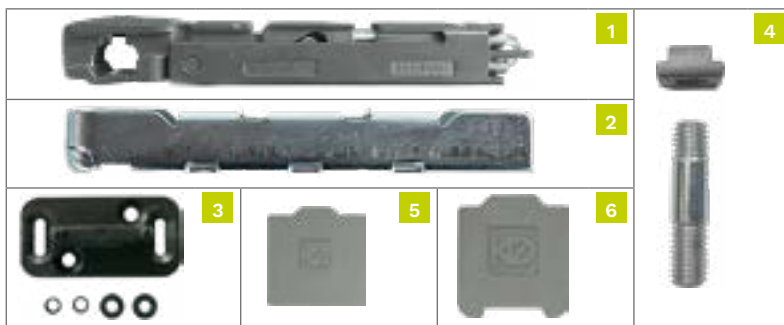
1 door set  
Item number: 0500 59

Figure	Component	Quantity
1	Double hooking door bracket	2 pieces
2	Adjustable floor guide	1 piece
3	Support screw for roller (hanger)	2 pieces
-	Fork wrench	1 piece

### Technical drawings



Fixing bracket embedded in the door leaf and an adjustable floor guide

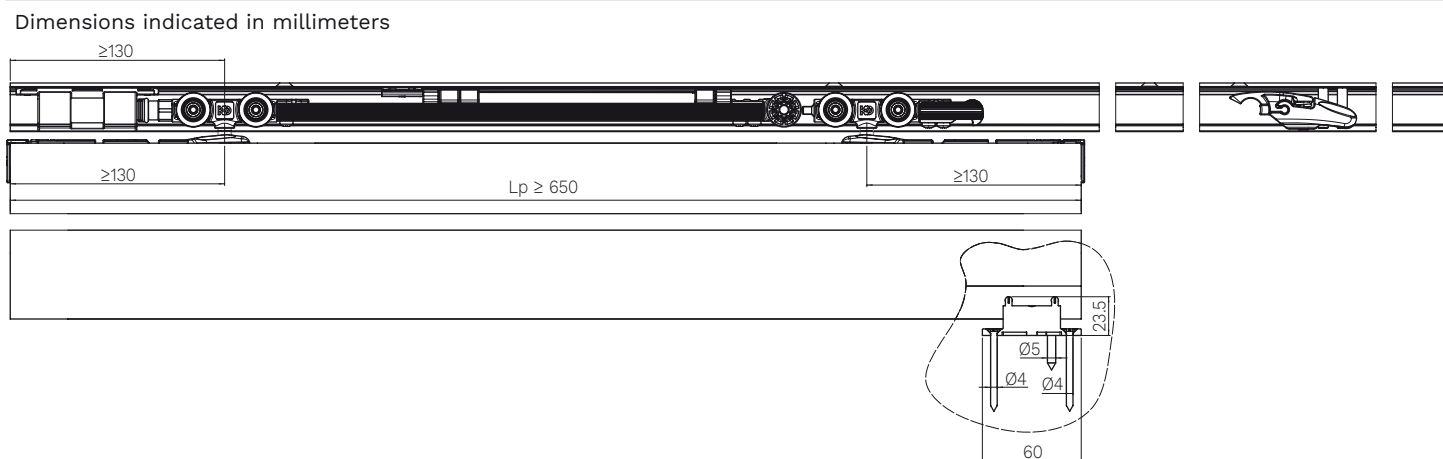


### Kit components

1 door set  
Item number: 0600 6 1

Figure	Component	Quantity
1	Door anchor bracket	2 pieces
2	Retainer profile	2 piece
3	Adjustable floor guide	1 piece
4	Support screw for roller (hanger)	2 pieces
5	In line closing cap	2 pieces
6	Closing cap	2 pieces
-	Fork wrench	1 piece

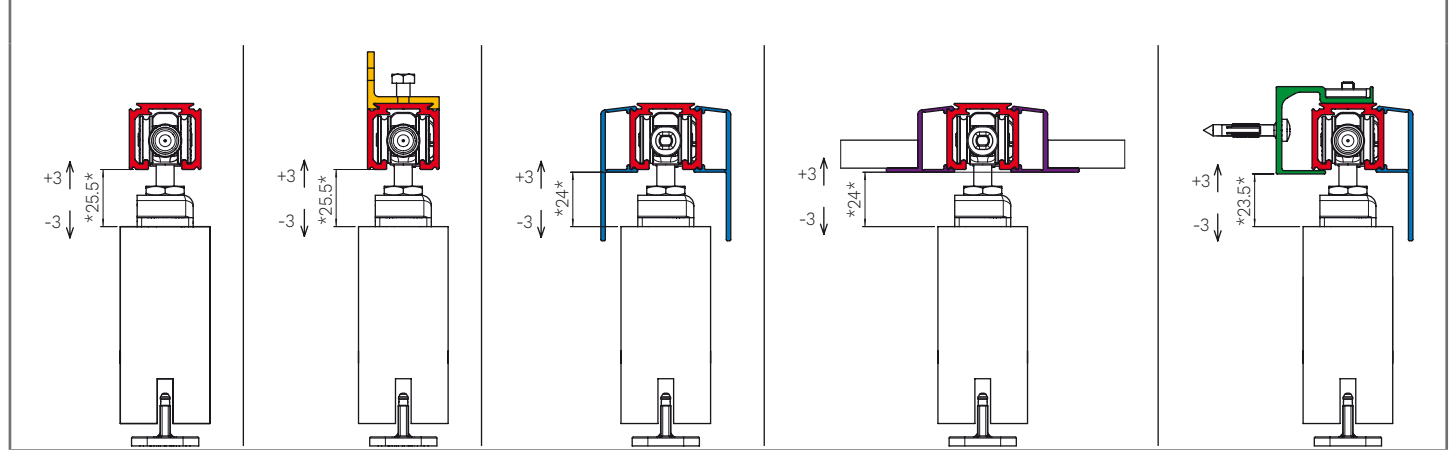
### Technical drawings



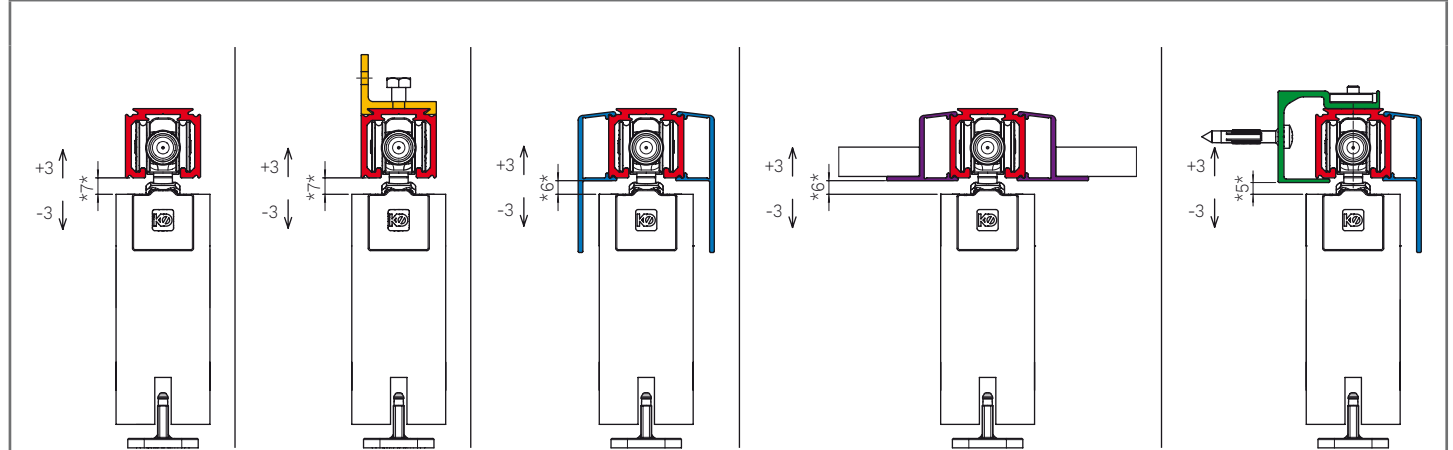
# Single ABS Magnus and Double ABS Magnus tracks and accessories

Complete the kit with track and accessory according to application.

## Installation examples with a traditional double entry bracket



## Installation examples with an embedded bracket



Dimensions tracks and accessories	
	32 29.5 80 kg
	43.2 39 80 kg
	16.5 60 102
	30.5 29.4
	32 25.5

Tracks	
Drilled and anodised aluminium track - 80 kg	
	Item number.
1,8 meters	<b>0500 180</b>
2 meters	<b>0500 200</b>
2,4 meters	<b>0500 240</b>
3 meters	<b>0500 300</b>
4 meters	<b>0500 400</b>
6 meters	<b>0500 1</b>

Accessories	
Component	Item number.
Pelmet high cover - 2 meters	<b>0500 A 200</b>
Pelmet high cover - 3 meters	<b>0500 A 300</b>
Pelmet high cover - 4 meters	<b>0500 A 400</b>
Pelmet medium cover - 2 meters	<b>0500 M 200</b>
Pelmet medium cover - 3 meters	<b>0500 M 300</b>
Pelmet medium cover - 4 meters	<b>0500 M 400</b>
False ceiling profile - 2 meters	<b>0500 C 200</b>
False ceiling profile - 3 meters	<b>0500 C 300</b>
False ceiling profile - 4 meters	<b>0500 C 400</b>
Wall fixing - 80 Kg - 2 meters	<b>0500 F 200</b>
Wall fixing - 80 Kg - 3 meters	<b>0500 F 300</b>
Wall fixing - 80 Kg - 4 meters	<b>0500 F 400</b>
L shape wall fixing - 80 kg	<b>0500 4</b>

# Single ABS Magnus and Double ABS Magnus spare parts

Spare parts			
Component	*Quantity	Item number.	Which set is it for?
Roller with Magnetic soft close	1 piece	<b>0570 ABS</b>	<i>MAGNUS ABS single / MAGNUS ABS double</i>
Braking activator	1 piece		
Roller without magnet	1 piece	<b>0570 1 ABS</b>	<i>MAGNUS ABS single</i>
End-stop with adjustable unfasten force	1 piece		
Roller with magnet	1 piece	<b>0570 2 ABS</b>	<i>MAGNUS ABS double</i>
Soft close Activator	1 piece		
Braking activator	1 piece		
Soft close Activator	1 piece	<b>0570 ABS 3</b>	<i>MAGNUS ABS single / MAGNUS ABS double</i>
Braking activator	1 piece		
End-stop with adjustable unfasten force	1 piece		

\*The minimum order quantity is indicated.